

# Epitome® Multi-Articulating No-Drill Vehicle Laptop Desk

## The Worlds First Wireless Mobile Vehicle Workstation



- Own the ultimate in vehicle laptop desk stability while enjoying the comfort and convenience of a wireless mobile office in your vehicle!
- Introducing the world's first mobile wireless workstations - the **Epitome**, **Epitome Napoleon** and **Epitome Plus**. As if being equipped with Bluetooth® Wireless Technology (**Optional 802.11 Wi-Fi® now available**) were not enough, we give you the most stable, yet flexible and agile laptop vehicle mount available anywhere in the world.
- Since 1985, when we first introduced the vehicle laptop mount, **a2z Mobile Office Solutions, Inc.** has outfitted mobile people with the ultimate in mobile gear that provides stability, comfort, safety and functionality.
- The **Epitome**, **Epitome Napoleon** and **Epitome Plus** are No-Drill vehicle laptop stands that help provide increased productivity and reduced body stress and eye strain for data entry and GPS use.



- The patented adjustable knuckle in center pedestal gives the **Epitome** desk an endless array of angles and absorbs the majority of shock, yielding the most stable platform available.

### Materials:

- The **Epitome** is constructed of 1" and 1-1/8", .059 thick-wall aircraft grade aluminum tubing. The Inverter/Bluetooth/USB/IEEE 1394 Hub is manufactured with 6061-T6 alloy.
- The desktop is manufactured with 3/16", black ABS Haircell, for strength, style and durability.



Warning: the Epitome is not intended for data input use while driving.

### Each full Epitome desktop includes:

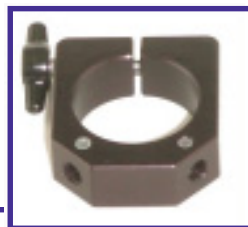
- **Bluetooth® 2.0** Wireless Technology (**802.11 Wi-Fi® Option Available**)
- **400 Watt Inverter** with (2) AC sockets
- **(3) 12-Volt DC Ports**
- **(3) USB Ports and (2) IEEE 1394 Firewire Ports**
- **No-Drill Base Mount System**
- **Height Adjustable Pedestal**
- **Articulating Adjustable Knuckle**
- Standard 13"D x 14"H Desktop (12"D x 14"H Available)
- **LocDown™ Securing System** w/Nylon Safety Strap
- **Display Holder/Stabilizer**
- Desktop Angles 0° to 90° and Rotates 360°
- (4) Shocks Pads on desktop

### Available Options:

- Pedestal head for Tablet PC's, Sub-notes & other devices
- Portable Printer/Keyboard Desk
- 18", 12V, 5W Halogen Lamp

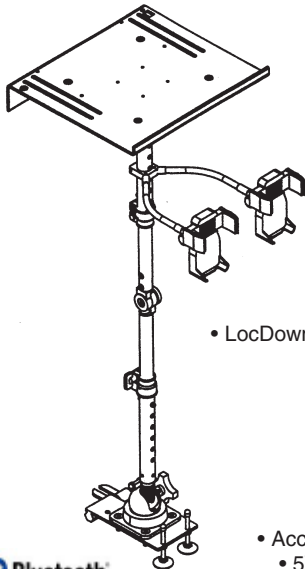
### Accessory Clamp that facilitates:

- Up to two gooseneck tubes in 6" or 8" lengths
- Accepts Cellphone, PDA or Handheld cradle
- Fits upper or lower upright pedestal



# The Epitome® Wireless Vehicle Desk Family

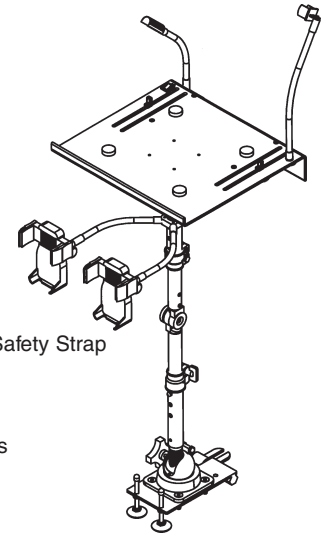
## Epitome



- Height: 21-1/4" to 39-1/4"
- No-Drill Base Mount System
  - Weight: 11 lbs.
  - (3) - Bluetooth 2.0
- (3) USB Ports, (2) Firewire Ports
- 400 Watt Inverter (2) AC sockets
  - (3) - 12V DC Ports
- 22, 10° Angle Settings in Knuckle
- Millions of Angle Adjustments
- Multi-Articulating Upright with
  - Adjustable Locking Knuckle
  - Standard 13" x 14" Desktop
- LocDown™ Securing System & Safety Strap
  - Display Holder
  - Desktop Angles 0° to 90°
  - Desktop Rotates 0° to 360°
- (4) Laptop Protecting Shocks Pads
  - Options:
    - 802.11 WiFi
    - Printer / Keyboard Attachment
- Accessory Clamp can hold 2 gooseneck
- 5W Halogen Dimmer Controlled Lamp



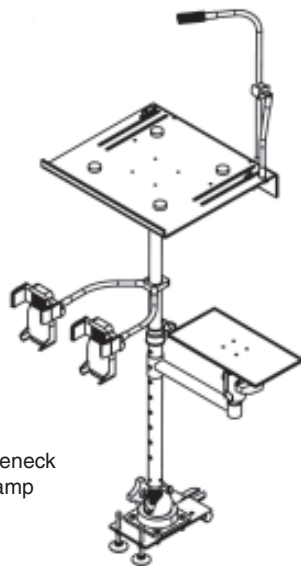
## Epitome Napoleon



- Height: 19-1/4" to 28-1/4"
- No-Drill Base Mount System
- Weight: 11 lbs.
- (3) - Bluetooth 2.0
- (3) USB Ports, (2) Firewire Ports
- 400 Watt Inverter (2) AC sockets
  - (3) - 12V DC Ports
- 22, 10° Angle Settings in Knuckle
- Millions of Angle Adjustments
- Multi-Articulating Upright with
  - Adjustable Locking Knuckle
  - Standard 13" x 14" Desktop
- LocDown™ Securing System & Safety Strap
  - Display Holder
  - Desktop Angles 0° to 90°
  - Desktop Rotates 0° to 360°
- (4) Laptop Protecting Shocks Pads
  - Options:
    - 802.11 WiFi
    - Printer / Keyboard Attachment
    - Accessory Clamp can hold 2 gooseneck
    - 5W Halogen Dimmer Controlled Lamp



## Epitome JRP\*

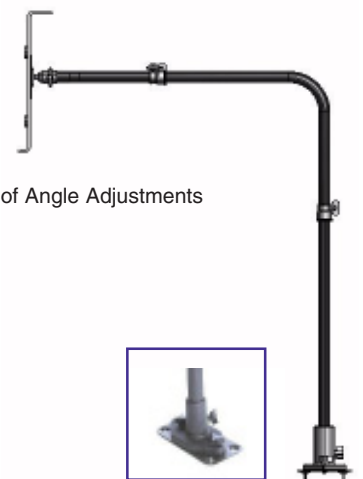


- Height: 24" to 33"
- Weight: Alum. 8 lbs.
- Straight-line Upright
- Hundreds of Angle Adjustments
- Standard 13" x 14" Desktop
- LocDown™ Securing System
- Nylon Safety Strap
- (3) - 12V DC Ports
- Display Holder
- Options:
  - 802.11 WiFi
  - Printer / Keyboard Attachment
  - Accessory Clamp can hold 2 gooseneck
  - 5W Halogen Dimmer Controlled Lamp

• Does Not include inverter, USB, Firewire or Bluetooth

## Epitome Plus

(Drill Only Version)



- Horizontal Extension: 22½" to 34"
- Vertical Height: 24" to 31"
- Weight: Alum. 9 lbs.
- (3) - Bluetooth 2.0
- (3) - USB Ports
- (2) - Firewire Ports
- 400 Watt Inverter
  - (2) - 110 Watt AC sockets
  - (3) - 12V DC Ports
- Hundreds of Angle Adjustments
- Standard 13" x 14" Desktop
- LocDown™ Securing System
- Nylon Safety Strap
- Display Holder
- Desktop Angles 0° to 90°
- Desktop Rotates 0° to 360°
- (4) Shocks Pads
- Drill-Only Base Mount System
  - Options:
    - 802.11 WiFi
    - Printer / Keyboard Attachment
    - Accessory Clamp can hold 2 gooseneck
    - 5W Halogen Dimmer Controlled Lamp



a2z Mobile Office Solutions, Inc. • 2026 Pinecrest Drive • Morgantown, WV 26505 • U.S.A.

Phone: (304) 296-8800 • (800) 347-6222 • Fax: (304) 296-5284

Email: sale@a2zsolutions.com • <http://www.a2zsolutions.com>



## “Accessories for Mobile People”